

Current part is item (23,2) on diagram. Available at www.oshkoshequipment.com

(1)	(2)	(3)	(4)	(5)	(6)				(7)			(8)			(9)	(10)	
SMR	FEDERAL	DESCRIPTION	UNIT	QTY	15-DAY ORGANIZATION				30-DAY DS			30-DAY GS			1-YR. ALW	ILLUSTRATION	
CODE	STOCK		OF	INC	MAINTENANCE				MAINTENANCE			MAINTENANCE			PER 100	(A)	(B)
	NUMBER		MEAS	IN	ALLOWANCE				ALLOWANCE			ALLOWANCE			EQUIP	FIG	ITEM
		REFERENCE NUMBER & MFR CODE	USABLE ON CODE	UNIT	(A)	(B)	(C)	(D)	(A)	(B)	(C)	(A)	(B)	(C)	PLANNING	NO	NO
					1-5	6-20	21-50	51-100	1-20	21-50	51-100	1-20	21-50	51-100			
PAOZZ	5310-053-7808	NUT, CAP, SELF-LOCKING, HEX: 1 1/8-16NF-2, LB 537808 (24617)		EA	20	*	*	*	*	*	*	*	*	*		25	22
PAOZZ	5310-880-2005	NUT, CAP, HEX: 1 1/8 -16NF-2, RH MS51983-4 (96906)		EA	20	*	*	*	*	*	*	*	*	*		25	22
PAOZZ	2530-693-1029	NUT, CAP: 3/8-16NF-2. LB INNER THD, 11/8-16NS-3. LH OUTER THD 537810 (81793)		EA	20	*	*	*	*	*	*	*	*	*		25	23
PAOZZ	2530-359-1162	NUT, CAP: 3/8-16NF-2, RH INNER THD. 1-1/8-16NS-3 RH OUTER THD 537809 (24617)		EA	20	*	*	*	*	*	*	*	*	*		25	23
PAOZZ	5306-797-9320	BOLT, RIBBED: 3/8-16NF X 3. LH MS51946-5 (96906)		EA	20	*	*	*	*	*	*	*	*	*		25	24
PAOZZ	5306-740-9555	BOLT, RIBBED: 3/8-16NF X 3. RH MS51946-6 (96906)		EA	20	*	*	*	*	*	*	*	*	*		25	24
PAOZZ	2530-740-9395	HUB ASSY: W BRG CUPS A333U801 (78500)		EA	4	*	*	*	*	*	*	*	*	*		25	
		1311-HUBS AND DRUMS	D, E														
PAOZZ	5310-053-7808	NUT, PLAIN, HEX: 11/8-16NF-2. LH THD 537808 (24617)		EA	20	*	*	*	*	*	*	*	*	*		26	1
PAOZZ	5310-880-2005	NUT, PLAIN, HEX: 11/8-16NF-2, RH THD MS51983-4 (96906)		EA	20	*	*	*	*	*	*	*	*	*		26	1
PAOZZ	2530-359-1162	NUT, CAP, HEX: 3/8-16NF-2, LH INNER THD. 11/8- 16NS-3 OUTER THD 537810 (81793)		EA	20	*	*	*	*	*	*	*	*	*		26	2
PAOZZ	2530-693-1029	NUT, CAP, HEX: 3/8-16NF-2 INNER THD. 11/8-16NS- 3 OUTER THD 537809 (24617)		EA	20	*	*	*	*	*	*	*	*	*		26	2
PAOZZ	5305-225-8494	SCREW, CAP, HEX HD: 5 16-18UNC-2A X 1/2 MS90725-29 (96906)		EA	24	*	*	*	*	*	*	*	*	*		26	3
PAOZZ	5310-407-9566	WASHER, LOCK, SPLIT: 5 15 ID MS35338-45 (96906)		EA	24	*	*	*	*	*	*	*	*	*		26	4
PAOZZ	2530-287-8220	CAP, GREASE: WHEEL HUB 8710725 (19207)		EA	4	*	*	*	*	*	*	*	*	*		26	5
PAOZZ	5330-290-8521	GASKET, GREASE CAP: CORK 8710726 (19207)		EA	4	*	*	*	*	*	*	*	*	*		26	6
PAOZZ	5310-353-2427	NUT, PLAIN, OCTAGON: OUTER WHEEL BRG JAM 7979263 (19207)		EA	4	*	*	*	*	*	*	*	*	*		26	7
PAOZZ	5310-700-7089	WASHER, KEY: HUB BRG ADJ LOCK 5139123 (19207)		EA	4	*	*	*	*	*	*	*	*	*		26	8



Current part is item (23,2) on diagram. Available at www.oshkoshequipment.com

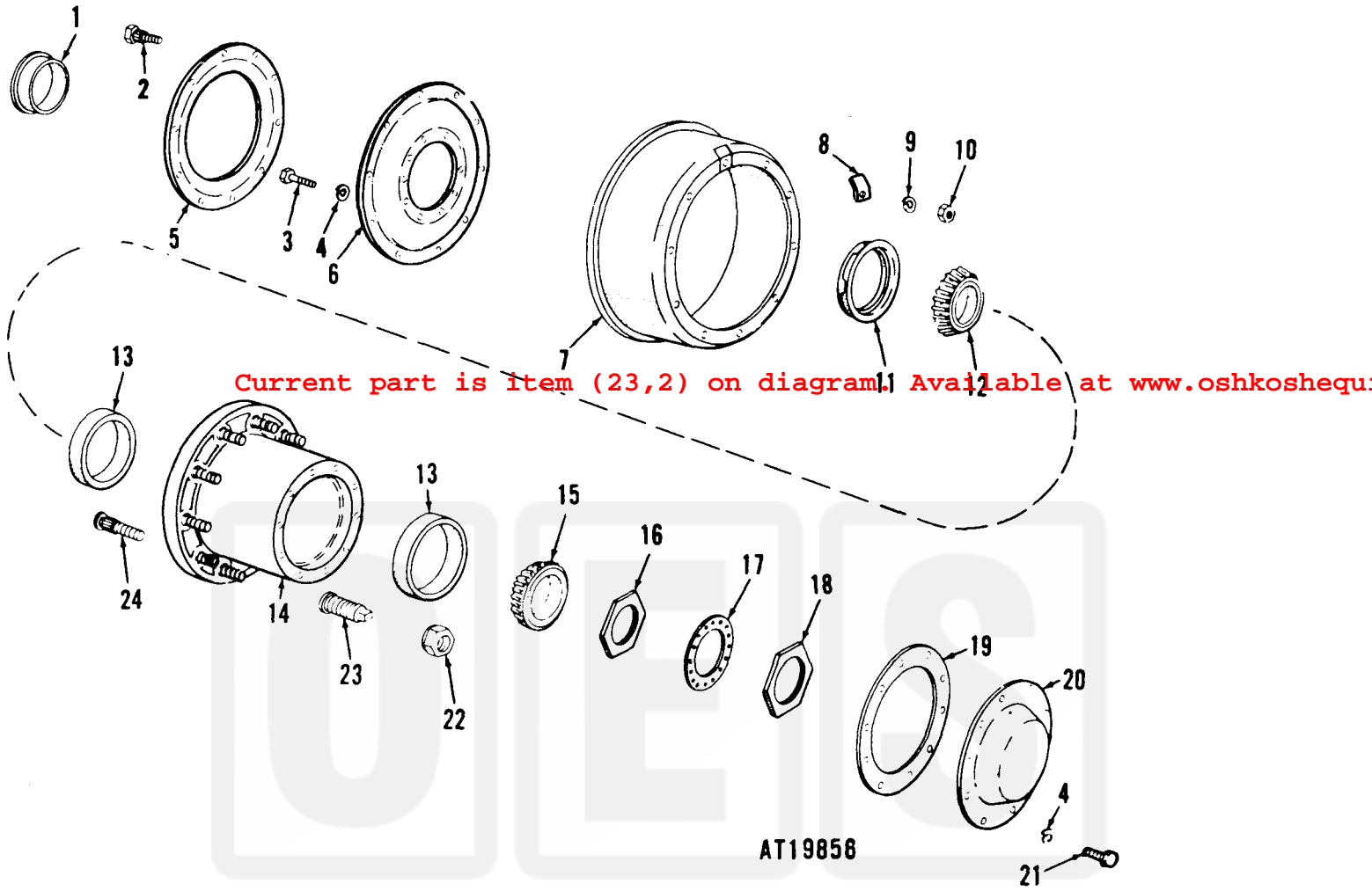


Figure 25. Hub and drum assembly—M269, M270.

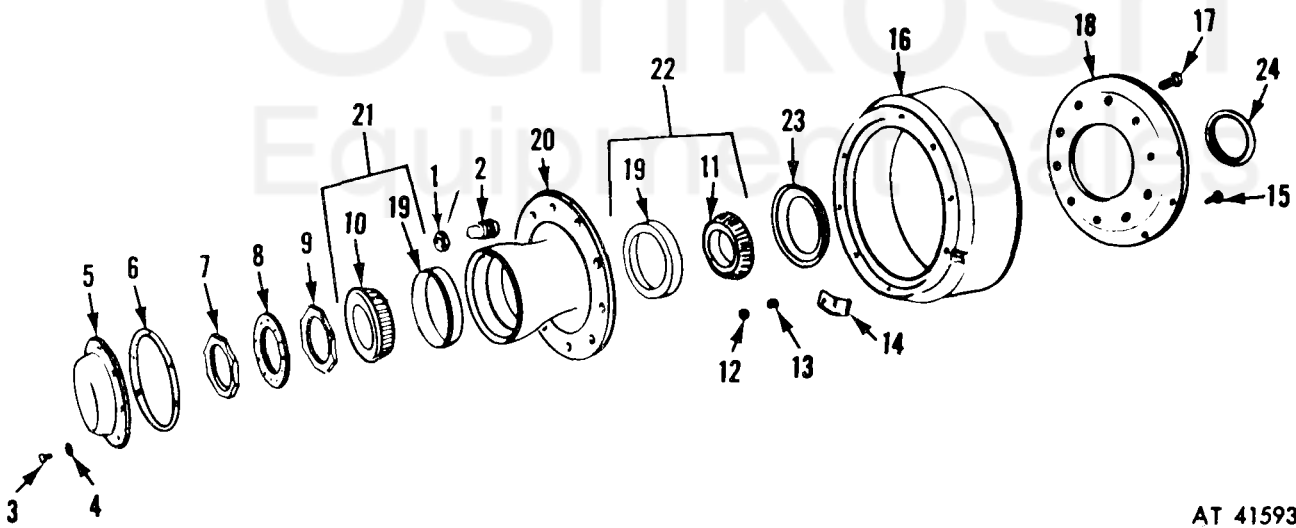


Figure 26. Hub and drum assembly—269A1, M270A1.